

## Fiber Coupled Diode Laser (CW)

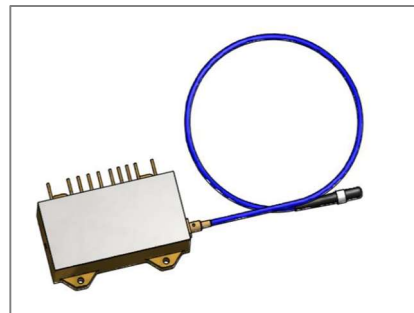
P/N: STHL-810/980/638-15/15/0.5-200/220-0.22

**Features:**

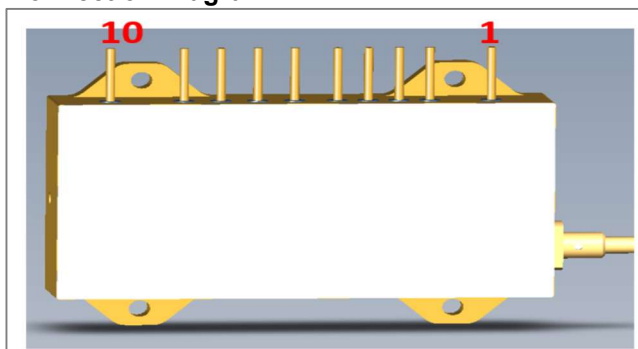
- High Power
- Long lifetime
- Multi-wavelength

**Application:**

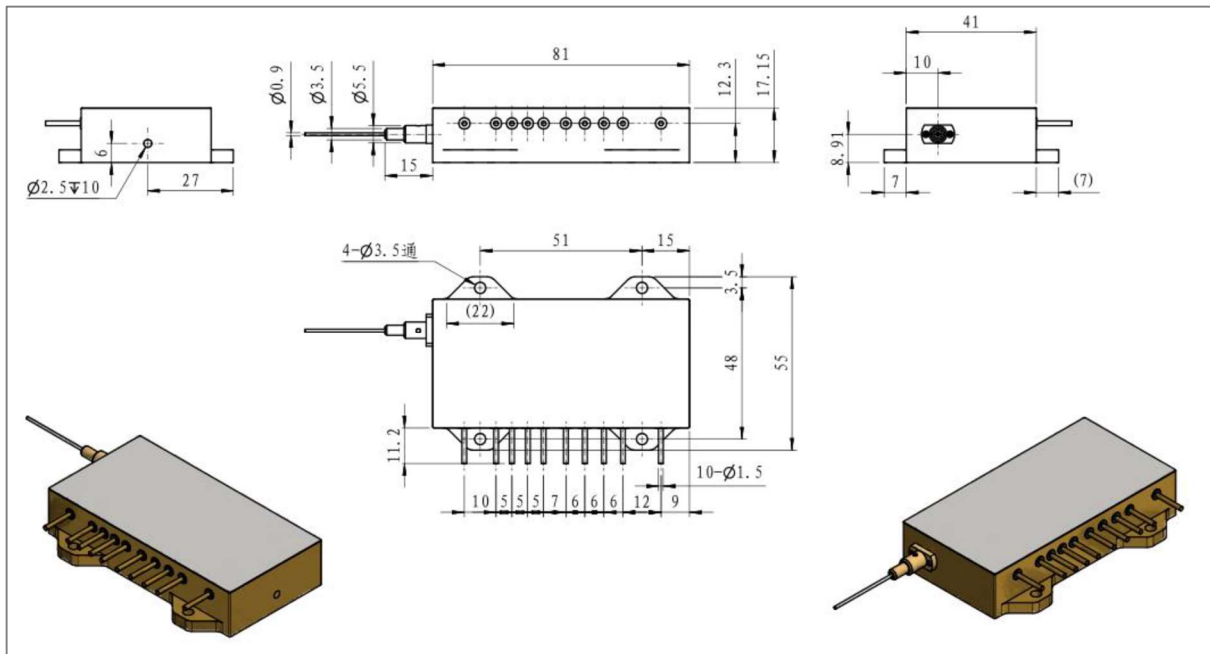
- Medical
- Scientific Research


**Product Specification**

Model		Unit	Lower spec	Typical	Upper Spec
Optical	Output peak Power	W		15/15	
	Center Wavelength $\lambda$	nm		810/980	
	Spectral Width FWHM	nm		4/6	
	Wavelength Temp. Coefficient	nm/°C		0.28/0.3	
Fiber Parameters	Fiber Numerical Aperture	NA		0.22	
	Fiber Core	$\mu\text{m}$		200/220	
	Connector Type	-		SMA905	
	Fiber length	m			2.5
Electrical Parameters	Operating Current $I_{op}$	A		9.5/9.5	
	Threshold Current $I_{th}$	A		1.1/1.2	
	Operating Voltage $V_{op}$	V		3.8/3.8	
	Slope Efficiency	W/A		1.8/1.7	
	Power Conversion Efficiency	%		42/45	
Indicator Lights Parameter	Output Power	w		0.5	
	Center wavelength $\lambda$	nm		638	
	Operating Current $I_{op}$	A		1.3	
	Operating Voltage $V_{op}$	V		2.2	
Thermal Parameters	Operating Temperature	°C	20		30
	Operating relative humidity	%			75
	Storage Temperature	°C	-20		70
	Storage relative humidity	%	5		85
	Recommended Thermal Dissipation Capacity	W			$\geq 50$

**Connection Diagram:**


Pin	Function	Pin	Function
1	/	6	810nm (+)
2	/	7	810nm (-)
3	638nm (+)	8	980nm (+)
4	638nm (-)	9	980nm (-)
5	/	10	/

**Device Dimension(mm)**


This structure drawing is only for reference. For any other special requirement, please feel free to contact us.