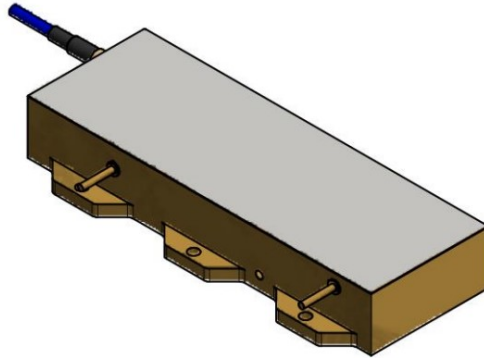


976nm CW 10W Fiber Coupled Diode Laser STHL-976-10-50



Parameter		Unit	Min	Typ.	Max
Optical	Output power	W		10	
	Central wavelength	nm	971	976	981
	Spectral width FWHM	nm		≤6	
	Polarization	-		TE	
	Wavelength shift	nm/°C		0.36	
Fiber	Numerical aperture	NA		0.22	
	Fiber core	um		50	
	Connector	-		SMA905	
	Tube Diameter	mm		0.9	
	Fiber length	m		1.5	
Electrical	Operation current	A		≤8.5	
	Threshold current	A		≤1.1	
	Operation voltage	V		≤3.8	
	Slope efficiency	W/A		≥1.8	
	Power conversion efficiency	%		≥45	
Thermal	Operating temp.	°C		15-30	
	Recommended thermal dissipation capacity	W		≥50	

All the parameters were tested in 25 °C temperature, unless otherwise stated.

