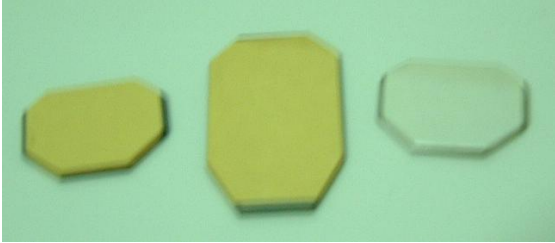


Scan Mirrors

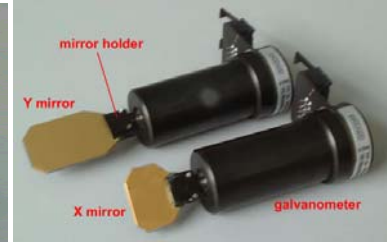
The scan mirrors are rectangular mirror of light weight. They are to be used for high speed two-axis laser scanning system. The dimensions of each mirror have been calculated to allow for scanning of a laser beam with no beam spill over at the extremis of scan. The mirrors have high reflectivities of 99.7% or above and so may be safe at high powers.



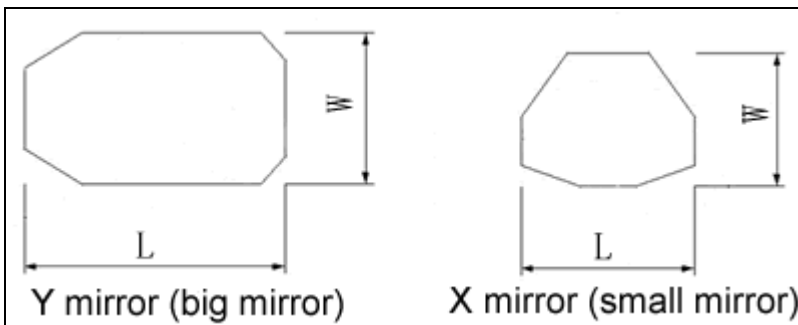
Scan mirror



Scan mirror with holder



Mounted scan mirror with galvo



Model Description: SMxxxx-xxA-LxWxT-Dx-BB

SM: laser scan mirror

xxxx: laser wavelength, 1064nm, 532nm or 10.6um

xx: maximum allowed input beam diameter (mm)

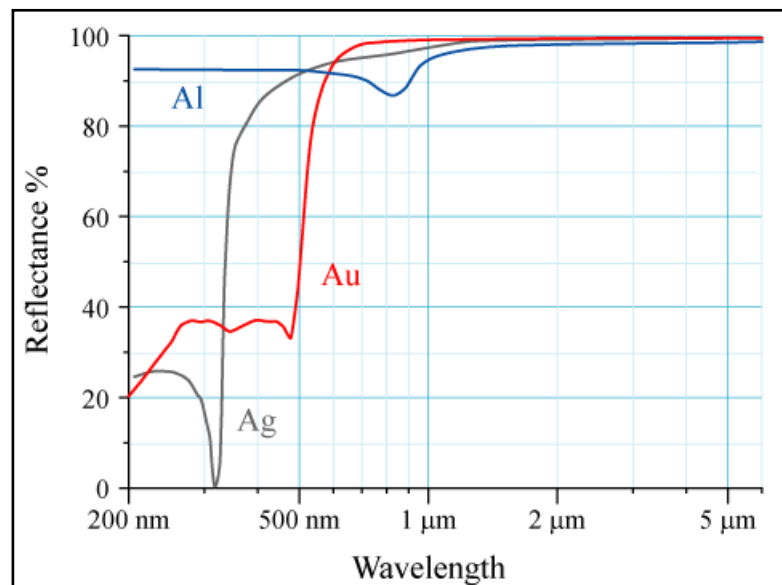
A: X mirror or Y mirror

LxWxT: dimension, length x width x thickness (mm)

Dx: mounted scan mirror with holder, x is the hole diameter of the holder in mm

BB: other for special use such as SJ series, LK series and WT series

Example: SM1064-12X-21x16.8x2-D5-SJ, mounted X mirror at 1064nm wavelength, mirror dimension 21x16x2mm, hole diameter of the holder of 5mm, dielectric coating at 1064nm



Scan Mirrors (10.6um, CO2 laser)

Max input beam diameter	Part number	Dimension (LxWxT, mm)	Remark
8	SM10.6-8X-18x13x1.5-SJ	18x13x1.5	Fused silica, gold-coating
8	SM10.6-8Y-23.2x16x1.5-SJ	23.2x16x1.5	Fused silica, gold-coating
8	SM10.6-8X-18x13x1.9-SJ	18x13x1.9	Fused silica, gold-coating
8	SM10.6-8Y-23.2x16x1.9-SJ	23.2x16x1.9	Fused silica, gold-coating
10	SM10.6-10X-18x14.5x2-SJ	18x14.5x2	Fused silica, gold-coating
10	SM10.6-10Y-24x16x2-SJ	24x16x2	Fused silica, gold-coating
10	SM10.6-10X-20.3x13.7x1.5-WT	20.3x13.7x1.5	Fused silica, gold-coating
10	SM10.6-10Y-24.4x17.8x1.5-WT	24.4x17.8x1.5	Fused silica, gold-coating
12	SM10.6-12X-21x16.8x2-SJ	21x16.8x2	Fused silica, gold-coating
12	SM10.6-12Y-30x19x2-SJ	30x19x2	Fused silica, gold-coating
12	SM10.6-12X-21x16x2-WT	21x16x2	Fused silica, gold-coating
12	SM10.6-12Y-32x19x2-WT	32x19x2	Fused silica, gold-coating
15	SM10.6-15X-27x19x2-SJ	27x19x2	Fused silica, gold-coating
15	SM10.6-15Y-37x22x2-SJ	37x22x2	Fused silica, gold-coating
16	SM10.6-16X-28x20x2-SJ	28x20x2	Fused silica, gold-coating
16	SM10.6-16Y-39x23x2-SJ	39x23x2	Fused silica, gold-coating
20	SM10.6-20X-37x24x2-SJ	37x24x2	Fused silica, gold-coating
20	SM10.6-20Y-49x31x2-SJ	49x31x2	Fused silica, gold-coating
32	SM10.6-32X-57.5x36x3-SJ	57.5x36x3	Fused silica, gold-coating
32	SM10.6-32Y-68x45x3-SJ	68x45x3	Fused silica, gold-coating

Remark: please define the hole diameter if you want scan mirror with mirror mount.

Scan Mirrors (1064nm, Nd:YAG laser)

Max input beam diameter	Part number	Dimension (LxWxT, mm)	Remark
7	SM1064-7X-12X10X1-SJ	12X10X1	Optical glass, dielectric coating, reflectivity >99.5% at 1064nm and >80% at 633nm.
7	SM1064-7Y-17X10X1-SJ	17X10X1	
8	SM1064-8X-18x13x1.5-SJ	18x13x1.5	
8	SM1064-8Y-22x15x1.5-SJ	23.2x16x1.5	
8	SM1064-8X-18x13x1.9-SJ	18x13x1.9	
8	SM1064-8Y-22x15x1.9-SJ	23.2x16x1.9	
10	SM1064-10X-20x15x2-SJ	20x15x2	
10	SM1064-10Y-27.5x17x2-SJ	27.5x17x2	
10	SM1064-10X-20.3x13.7x1.5-WT	20.3x13.7x1.5	
10	SM1064-10Y-24.4x17.8x1.5-WT	24.4x17.8x1.5	
12	SM1064-12X-21x16.8x2-SJ	21x16.8x2	
12	SM1064-12Y-30x19x2-SJ	30x19x2	
12	SM1064-12X-21x16x2-WT	21x16x2	
12	SM1064-12Y-32x19x2-WT	32x19x2	
15	SM1064-15X-27x19x2-SJ	27x19x2	
15	SM1064-15Y-37x22x2-SJ	37x22x2	
16	SM1064-16X-28x20x2-SJ	28x20x2	
16	SM1064-16Y-39x23x2-SJ	39x23x2	
20	SM1064-20X-37x24x2-SJ	37x24x2	
20	SM1064-20Y-49x31x2-SJ	49x31x2	
32	SM1064-32X-57.5x36x3-SJ	57.5x36x3	
32	SM1064-32Y-68x45x3-SJ	68x45x3	

Remark: please define the hole diameter if you want scan mirror with mirror mount.

Scan Mirrors (532nm, Nd:YAG laser)

Max input beam diameter	Part number	Dimension (LxWxT, mm)	Remark
12	SM532-12X-21x16.8x2-SJ	21x16.8x2	Optical glass, dielectric coating, reflectivity >99.5% at 532nm.
12	SM532-12Y-30x19x2-SJ	30x19x2	
12	SM532-12X-21x16x2-WT	21x16x2	
12	SM532-12Y-32x19x2-WT	32x19x2	
15	SM532-15X-27x19x2-SJ	27x19x2	
15	SM532-15Y-37x22x2-SJ	37x22x2	
16	SM532-16X-28x20x2-SJ	28x20x2	
16	SM532-16Y-39x23x2-SJ	39x23x2	
20	SM532-20X-37x24x2-SJ	37x24x2	
20	SM532-20Y-49x31x2-SJ	49x31x2	

Remark: please define the hole diameter if you want scan mirror with mirror mount.

Scan Mirrors (visible light)

Max input beam diameter	Part number	Dimension (LxWxT, mm)	Remark
10	SMV-10X-20.3x13.7x1.5-WT	20.3x13.7x1.5	Optical glass, protective silver coating
10	SMV-10Y-24.4x17.8x1.5-WT	24.4x17.8x1.5	
12	SMV-12X-21x16x2-WT	21x16x2	
12	SMV-12Y-32x19x2-WT	32x19x2	

Remark: please define the hole diameter if you want scan mirror with mirror mount.

Scan Mirrors (1550nm)

Max input beam diameter	Part number	Dimension (LxWxT, mm)	Remark
12	SM1550-12X-21x16.8x2-SJ	21x16.8x2	Optical glass, dielectric coating
12	SM1550-12Y-30x19x2-SJ	30x19x2	

Remark: please define the hole diameter if you want scan mirror with mirror mount.

Scan Mirrors (750nm)

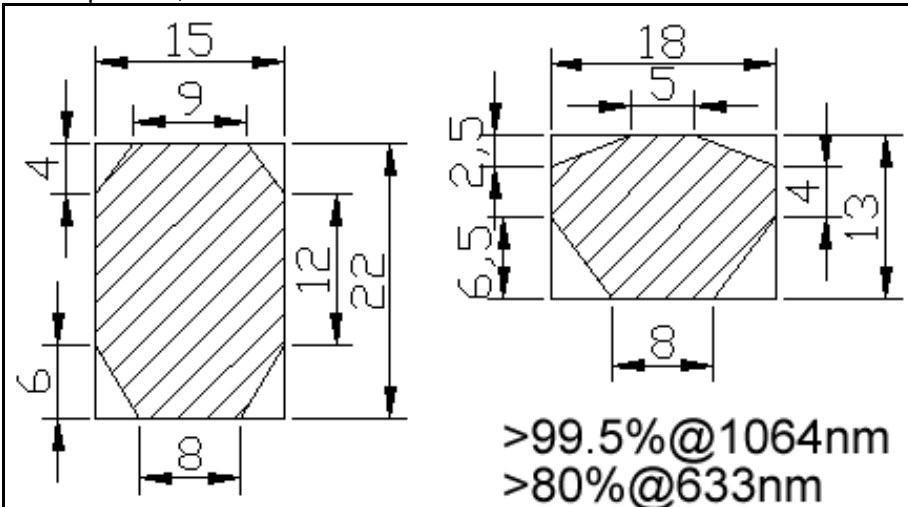
Max input beam diameter	Part number	Dimension (LxWxT, mm)	Remark
12	SM750-12X-21x16.8x2-SJ	21x16.8x2	Optical glass, dielectric coating
12	SM750-12Y-30x19x2-SJ	30x19x2	

Customized scan mirrors (various wavelengths and dimensions) are available on request.

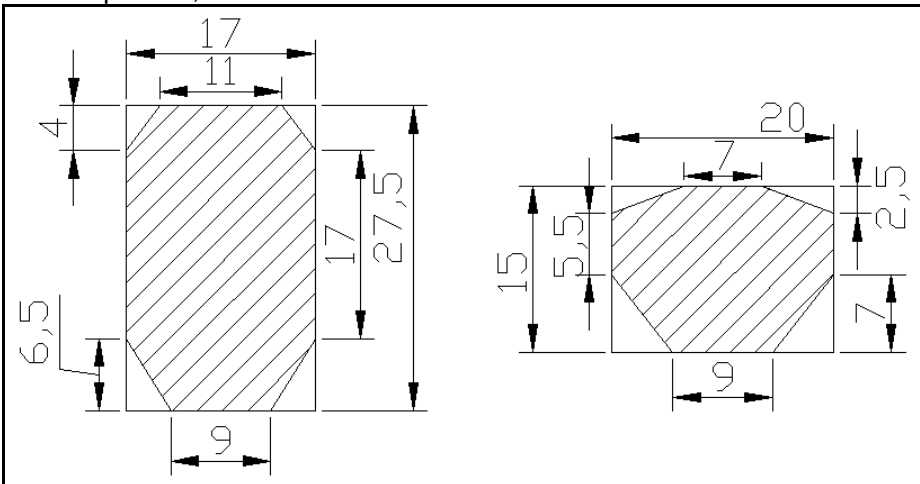
Dimensions of Scan Mirrors

1. SJ Series Scan Mirrors

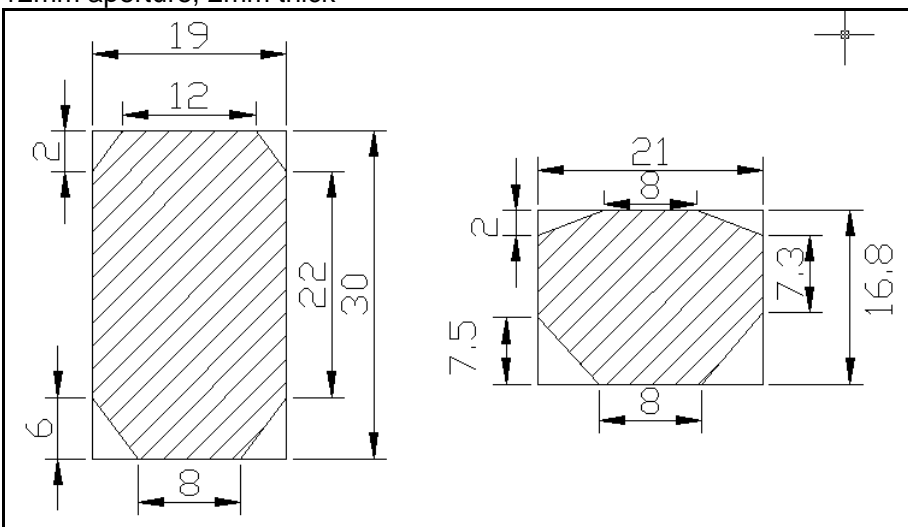
8mm aperture, 1.5mm thick



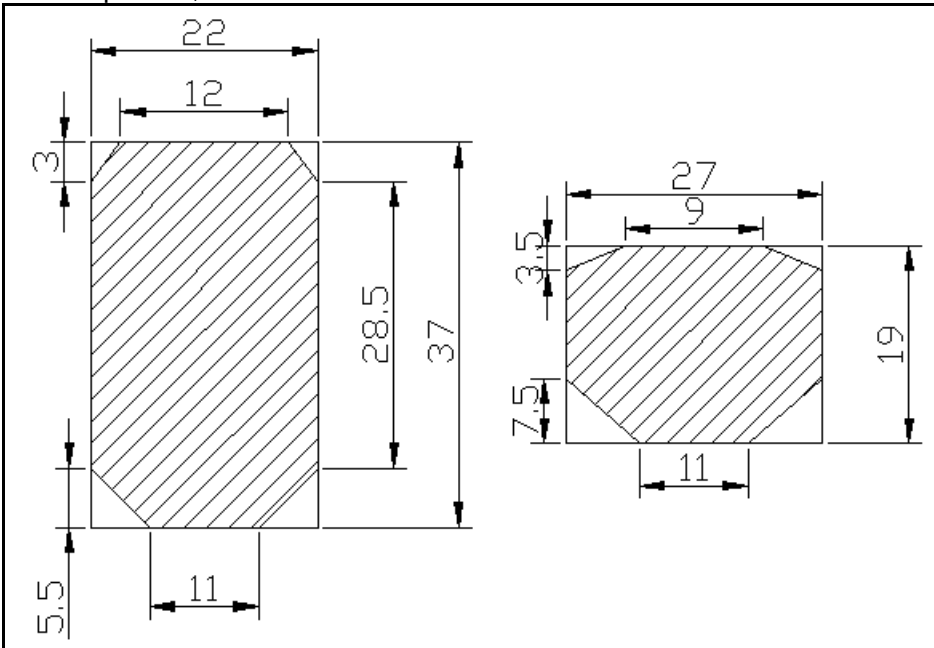
10mm aperture, 1.5mm thick



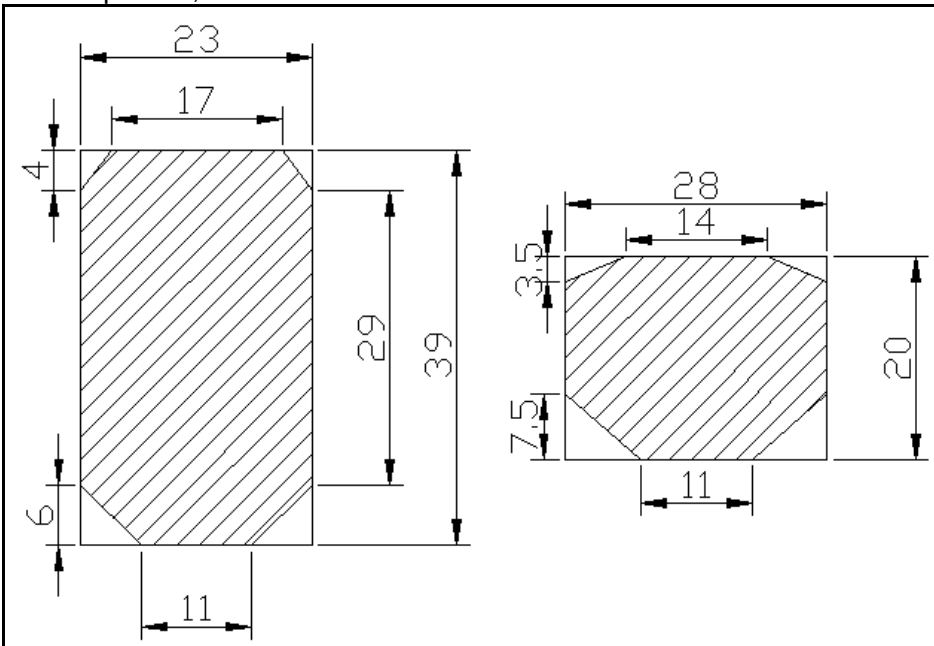
12mm aperture, 2mm thick



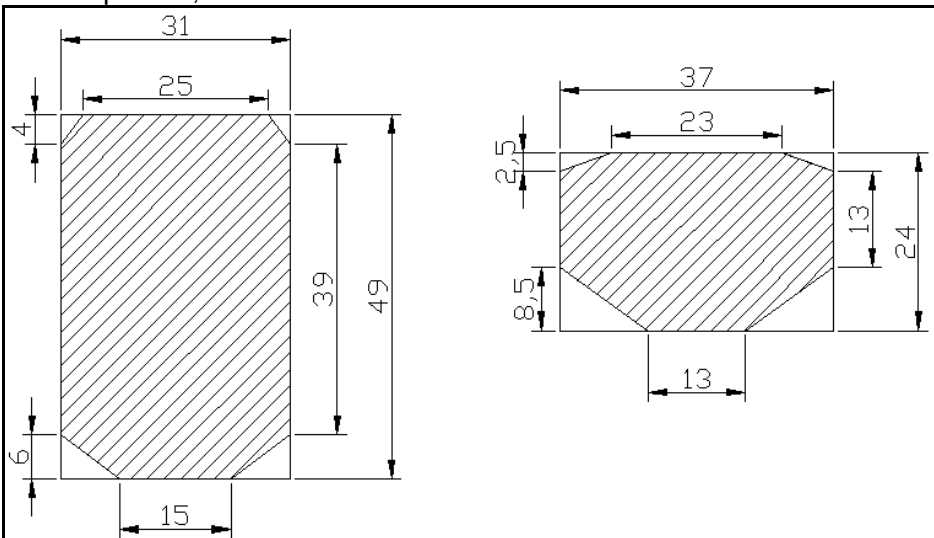
15mm aperture, 2mm thick



16mm aperture, 2mm thick

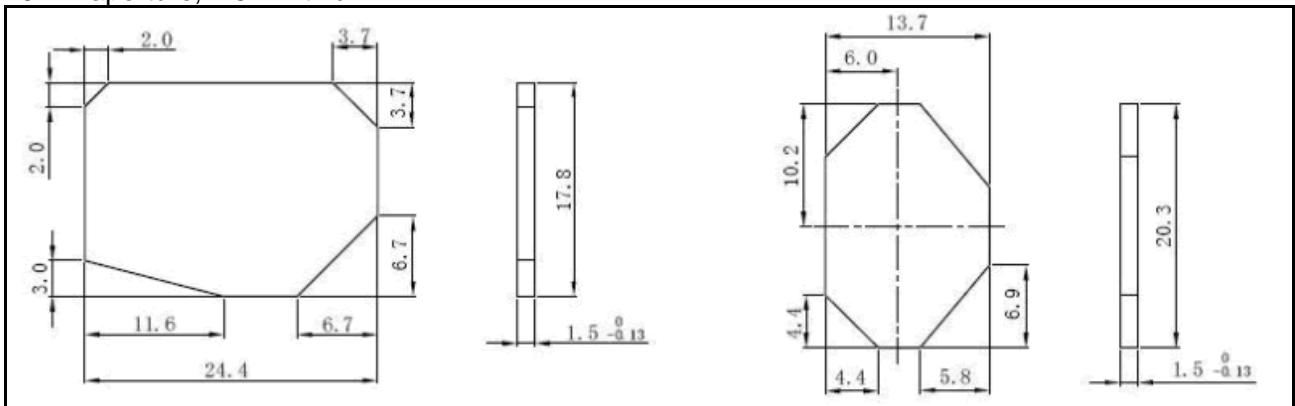


20mm aperture, 2mm thick



2. WT Series Scan Mirrors

10mm aperture, 1.5mm thick



12mm aperture, 2mm thick

