

FIBER-Q®
2000 nm Fiber Coupled Acousto-Optic Modulator
STG-T-M080-0.3C2Z-3-F2S / STG-T-M080-0.3C2Z-3-F2P



We specialize in providing optical components for high power fiber laser and amplifier systems. In-house control of critical manufacturing processes; from crystalline material selection and orientation, cutting, polishing and anti-reflection coating through to fiber coupling, ensure our components are of the highest optical quality.

In addition to the standard product shown, custom configurations are available for specialized applications.

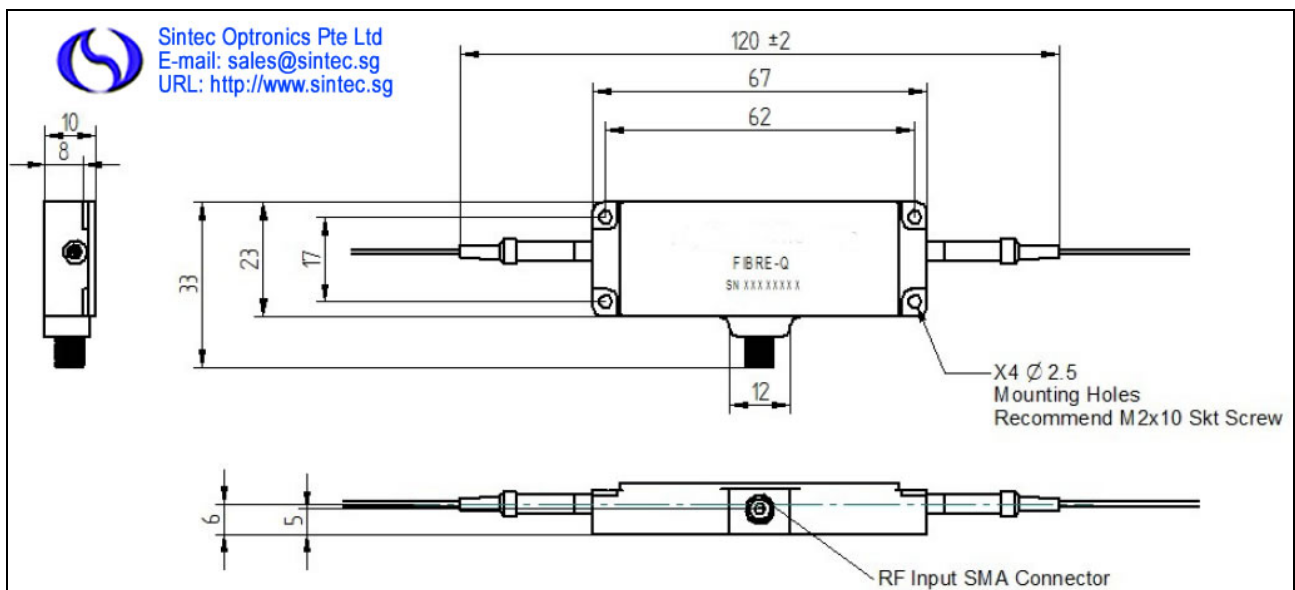
Key Features

- Low insertion loss
- Compact low profile package
- Rugged hermetic design
- Stable performance
- Low power consumption
- Custom configurations available

Applications

- Fiber laser
- Pulse picker
- Optical sensing

Parameter	Min	Max	Typical	Comments
Interaction material	-	-	-	Tellurium dioxide
Wavelength	-	-	2000 nm	
Average optical power handling	-	1 W	-	
Peak optical power handling	-	1 kW	-	Dependent on pulse width
Insertion loss	-	3 dB	-	
Polarization dependant loss ¹	-	1 dB	0.7 dB	
Polarization extinction ratio (PER)	15 dB		20 dB	
Extinction ratio	50 dB	-	-	
Return loss	40 dB	-	-	
Rise-time/fall-time: (10% - 90%)	-	100 ns	70 ns	
Frequency	-	-	80 MHz	
VSWR	-	1.5:1	-	
Input impedance	-	-	50 Ω	
RF power	-	6 W	-	Duty cycle <10%
Frequency shift	-	-	80 MHz	Upshift
Fiber type	-	-	-	Nufern SM1950 Nufern PM1950 ¹
Fiber length	1.5 m	-	-	900 μm PVDF sleeving
Fiber termination	-	-	-	Bare



Other products which may be of interest:

- HI REL couplers
- High power multimode combiners
- Combiners with all types of signal feedthrough fiber
- Ultra-low ratio tap couplers
- WDMs for combining signals with red pointer lasers
- OCT wideband couplers