

FIBER-Q®
1550 nm Fiber Coupled Acousto-Optic Modulator
STG-T-M200-0.1C2J-3-F2S



The Fiber-Q® acousto-optic modulator is designed for use in pulsed fiber laser amplifier systems and as a pulse picker for short pulse, high rep rate fiber lasers.

We specialize in providing optical components for high power fiber laser and amplifier systems. In-house control of critical manufacturing processes; from crystalline material selection and orientation, cutting, polishing and anti-reflection coating through to fiber coupling, ensure our components are of the highest optical quality.

In addition to the standard product shown, custom configurations are available for specialized applications.

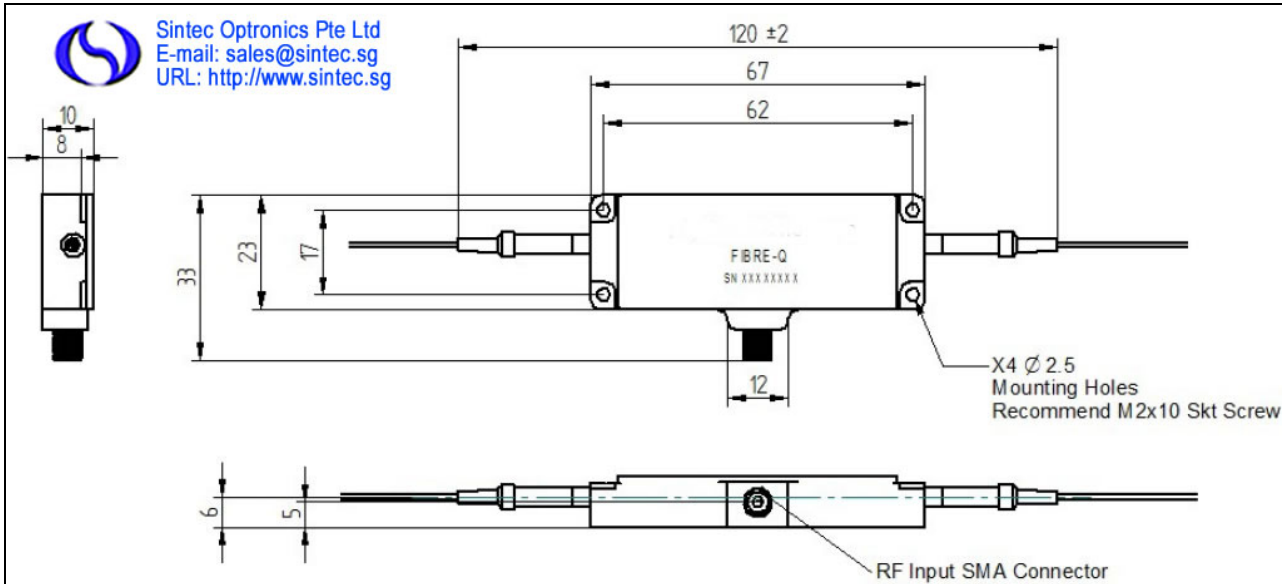
Key Features

- Low insertion loss
- Compact low profile package
- Rugged hermetic design
- Stable performance
- Low power consumption
- Custom configurations available

Applications

- Fiber laser
- Pulse picker
- Optical sensing

Parameter	Min	Max	Typical	Comments
Interaction material	-	-	-	Tellurium Dioxide
Wavelength	1530 nm	1565 nm	1550 nm	Other wavelengths available on request
Average optical power handling	-	1 W	-	
Peak optical power handling	-	1 kW	-	Dependant on pulse width
Insertion loss	-	6.0 dB	5.0B	
Polarization dependant loss	-	0.5B	0.2B	
Extinction ratio	50B	-	-	
Return loss (RF ON/RF OFF)	40B	-	-	
Rise-time/fall-time (10% - 90%)	-	10 ns	-	Does not include RF Driver rise / fall time
Frequency	-	-	200 MHz	
VSWR	-	1.5:1	-	
Input impedance	-	-	50 Ω	
RF power	-	2.5 W	-	Absolute maximum rating (Higher power will cause damage)
Frequency shift	-	-	200 MHz	Up-shift
Fiber type	-	-	-	SMF-28
Fiber length	1.5 m	-	-	900 μ m PVDF sleeving
Fiber termination	-	-	-	Bare fiber



Other products which may be of interest:

- HI REL couplers
- High power multimode combiners
- Combiners with all types of signal feedthrough fiber
- Ultra-low ratio tap couplers
- WDMs for combining signals with red pointer lasers
- OCT wideband couplers