

STLD Series Fiber-coupled LEDs

Our fiber-coupled LEDs consist of a high power LED with an SMA/FC fiber connector. When the patch cable is connected to the SMA bulkhead on the LED housing, the LED will be butt-coupled to the SMA fiber connector. Window based GUI is available to monitor the brightness intensity of the LED and serial commands are provided to control a unit.



Features:

- Multi-mode optical fibers with core diameters up to 1000 μ m.
- LED output controlled by 0-5V TTL
- Power supply: Universal AC/DC Wall adapter, 90 to 264VAC at 47 to 63Hz input 12V 12W output, 1.5m cord length
- Dimensions 119.1x115.1x51.6 mm and weight 0.5kg

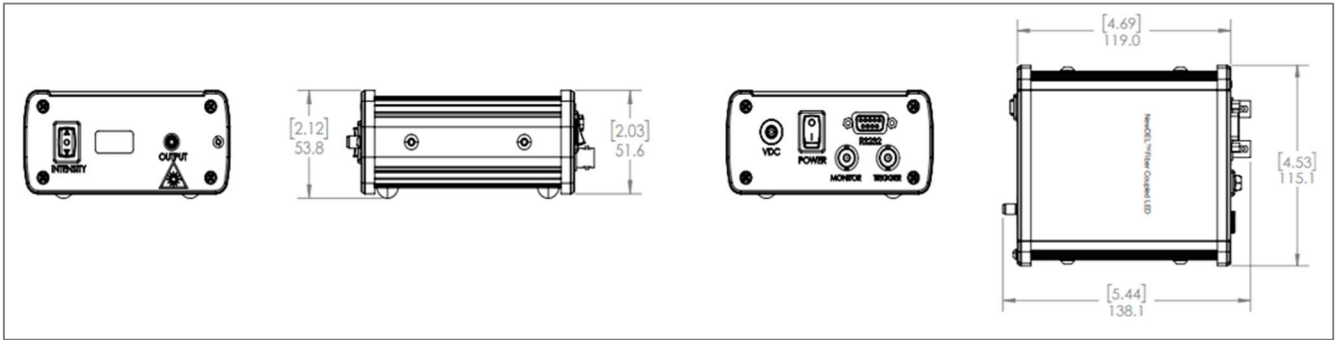
Applications:

- Purification and disinfection research
- Concentration of guanosine, proteins,
- Intrinsic fluorescence of tyrosine and tryptophan
- Detection of carbonyl bonds
- Beer bitterness units derived from light absorbance
- Fluorescence imaging of aromatic amino acids for investigating neurotransmission
- Fixed wavelength HPLC detectors

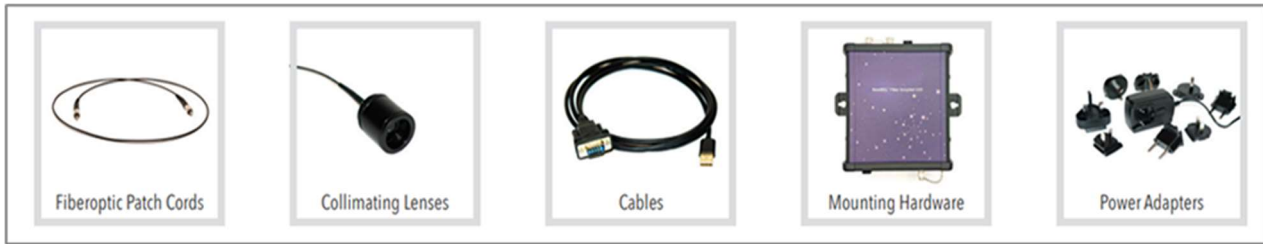
Specifications:

Model	Central wavelength (nm)	FWHM (nm)	Optical power (mW)	Connector	NA	Fiber patch cable
STLD-275-3-22U	275	10	3.0	SMA905/FC	0.22	FP22U
STLD-280-5-22U	280	10	5.0	SMA905/FC	0.22	FP22U
STLD-365-200-63P	365	15	200	SMA905/FC	0.63	FP63P
STLD-395-245-63P	395	15	245	SMA905/FC	0.63	FP63P
STLD-405-240-63P	405	15	240	SMA905/FC	0.63	FP63P
STLD-425-250-63P	425	20	250	SMA905/FC	0.63	FP63P
STLD-475-155-63P	475	25	155	SMA905/FC	0.63	FP63P
STLD-490-100-63P	490	20	100	SMA905/FC	0.63	FP63P
STLD-530-100-63P	530	35	100	SMA905/FC	0.63	FP63P
STLD-550-170-63P	550	80	170	SMA905/FC	0.63	FP63P
STLD-595-120-63P	595	80	120	SMA905/FC	0.63	FP63P
STLD-630-160-63P	630	20	160	SMA905/FC	0.63	FP63P
STLD-680-130-63P	680	20	130	SMA905/FC	0.63	FP63P
STLD-750-90-50H	750	28	90	SMA905/FC	0.50	FP50H
STLD-810-140-50H	810	37	140	SMA905/FC	0.50	FP50H

Dimensions:



Peripherals and Accessories:



Software Interface:

