

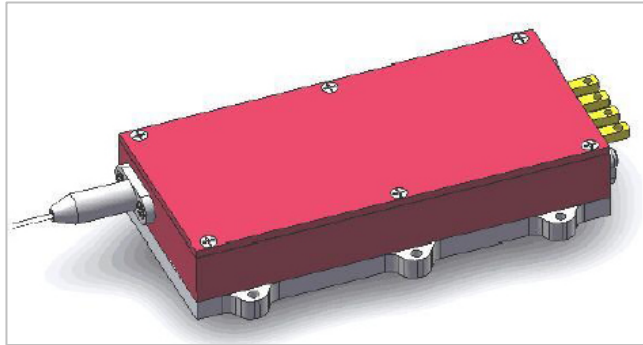
## Detailed Specifications of STC-LDM-808-150-C2

### Characteristics

Output Power: 150W  
Wavelength: 808nm  
Fiber Core Diameter: 400µm  
Numerical Aperture: 0.22

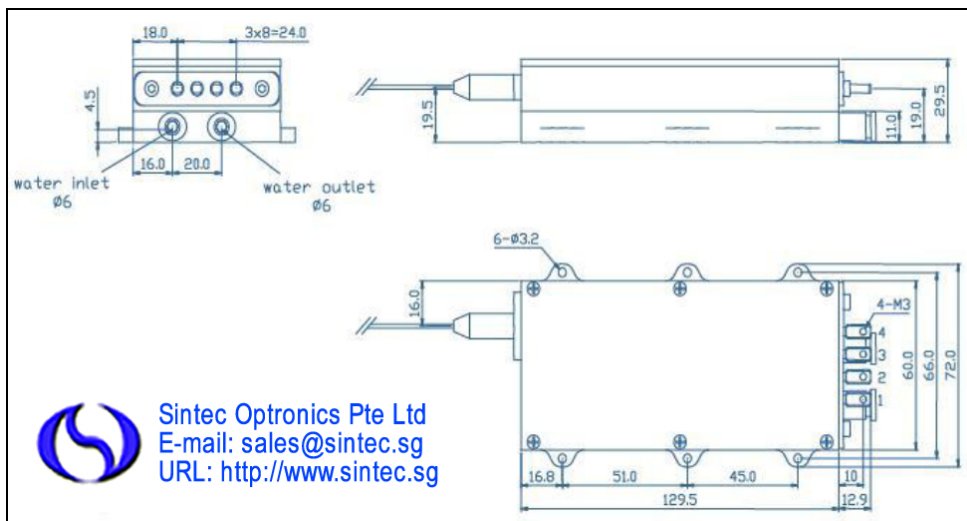
### Applications

Laser Scalpel  
Hair Removal  
Dental Treatment



	Parameter	Symbol	Typical	Unit
Optical	CW Out Power	Pop	150	W
	Center Wavelength		808±10	nm
	Spectral Width (90% of Power)	Δ	<10.0	nm
	Wavelength Shift with Temperature	Δ / ΔT	0.35	nm / °C
Electrical	Threshold Current	I <sub>th</sub>	1.9	A
	Operating current	I <sub>op</sub>	12	A
	Operating Voltage	V <sub>op</sub>	30	V
	Slope Efficiency	η	14.9	W/A
	Power Conversion Efficiency	η <sub>ep</sub>	42	%
Fiber	Core Diameter	d <sub>core</sub>	400	µm
	Cladding Diameter	d <sub>clad</sub>	440	µm
	Buffer Diameter	d <sub>buffer</sub>	700	µm
	Numerical Aperture	NA	0.22	-
	Fiber Length	L	1.0	m
	Connector	-	SMA905,FC	-
Accessories	Aiming Laser(650nm)	-	None	-
	Monitor Photodiode	-	None	-
	Dimension		142x72x29.5	mm

Parameter	Operating Temperature/°C	Operating Relative Humidity/%	Storage Temperature/°C	Storage Relative Humidity/%	Lead Soldering Temperature, 10s max/°C
Min	10	-	-20	-	-
Max	40	75	80	90	250



Sintec Optronics Pte Ltd  
E-mail: [sales@sintec.sg](mailto:sales@sintec.sg)  
URL: <http://www.sintec.sg>

Pin	Function
1	LD (+)
2	LD (-)
3	Thermistor
4	Thermistor