

# Fiber-coupled Laser Diode Module

## STC-LDM-976-10

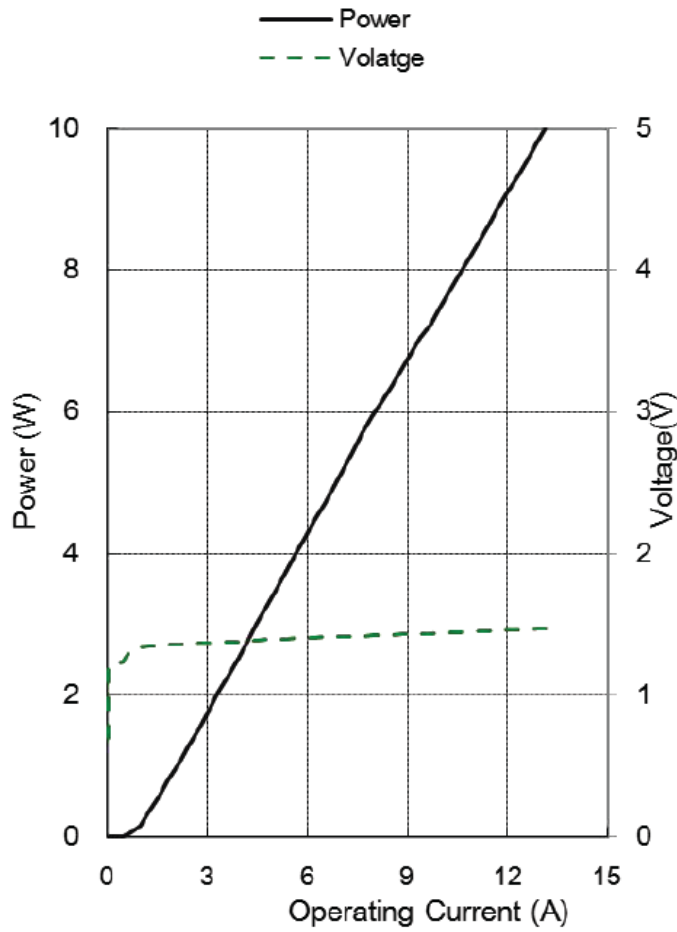
### Typical Device Performance (25°C)

Optical	Unit	Typical Value
CW Output Power	W	10
Center Wavelength	nm	976±0.5
Spectral Width (90% of Power)	nm	<0.5
Wavelength Shift with Temperature	nm / °C	0.02
Wavelength Shift with Current	nm / A	0.05
Feedback Protection (1030-1100nm)	dB	>40
<b>Electrical</b>		
Threshold Current	A	1.0
Operating Current	A	12.8
Operating Voltage	V	1.7
Slope Efficiency	W / A	0.8
Power Conversion Efficiency	%	50
<b>Fiber</b>		
Fiber Core Diameter	μm	105
Fiber Cladding Diameter	μm	125
Fiber Buffer Diameter	μm	250
Numerical Aperture	-	0.22
Fiber Length	m	1.0

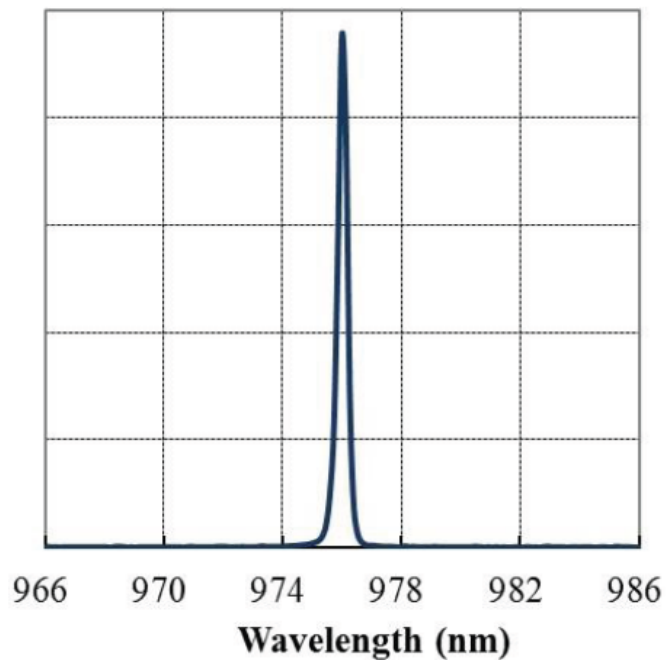
### Absolute Ratings

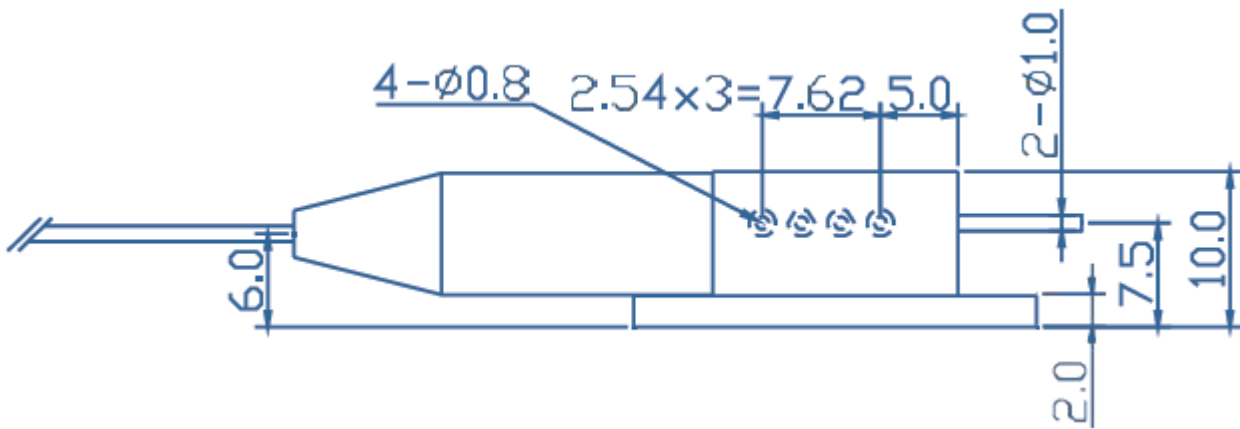
	Unit	Min	Max
Operating Temperature	°C	10	40
Operating Relative Humidity	%	-	75
Storage Temperature	°C	-20	80
Storage Relative Humidity	%	-	90
Lead Soldering Temperature, 10s max	°C	-	250

### Characteristics of 976nm-10W laser diode module (25°C)



### Typical spectrum of 976nm-7W laser diode module (25°C)





Pin Assignment	
Pin	Function
1	LD (+)
2	LD (-)
3	Thermistor
4	Thermistor
5	PD (N)
6	PD (P)