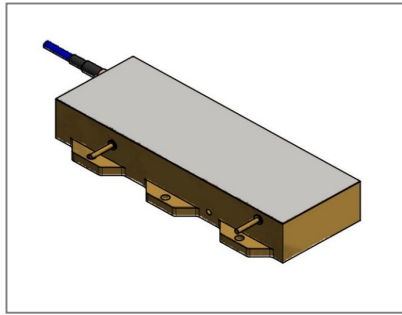


808nm CW 100W Fiber Coupled Diode Laser

P/N: STHL-808-100-200



	Parameter	Unit	Min	Typ.	Max
Optical	Output power	W		100	
	Central wavelength	nm	805	808	811
	Spectral width FWHM	nm		2	3
	Wavelength shift	nm/°C		0.28	
Fiber	Numerical aperture	NA		0.22	
	Fiber core	um		200	
	Connector			SMA905	
	Fiber length	m	1.4	1.5	1.6
Electrical	Operation current	A		10	11
	Threshold current	A		1	
	Operation voltage	V		21	22
	Slope efficiency	W/A		10	
	Power conversion efficiency	%		45	
Thermal	Operating temp.	°C	20		30
	Operating relative humidity	%			75
	Storage temperature	°C	-20		70
	Storage relative humidity	%	5		85
	Recommended thermal dissipation capacity	W			≥200

All the parameters were tested in 25 °C temperature, unless otherwise stated.

