

# 1550nm 20mW Single Mode DFB Laser Diodes With Non-Spherical Lens | Built-in Photodiode

Part Number: STW-WSLD-1550-020m-1-PD

**Features:**

- 1550nm
- Single Mode Beam
- DFB LD
- Built-in PD
- With Non-Spherical Lens
- Flat Window Optional



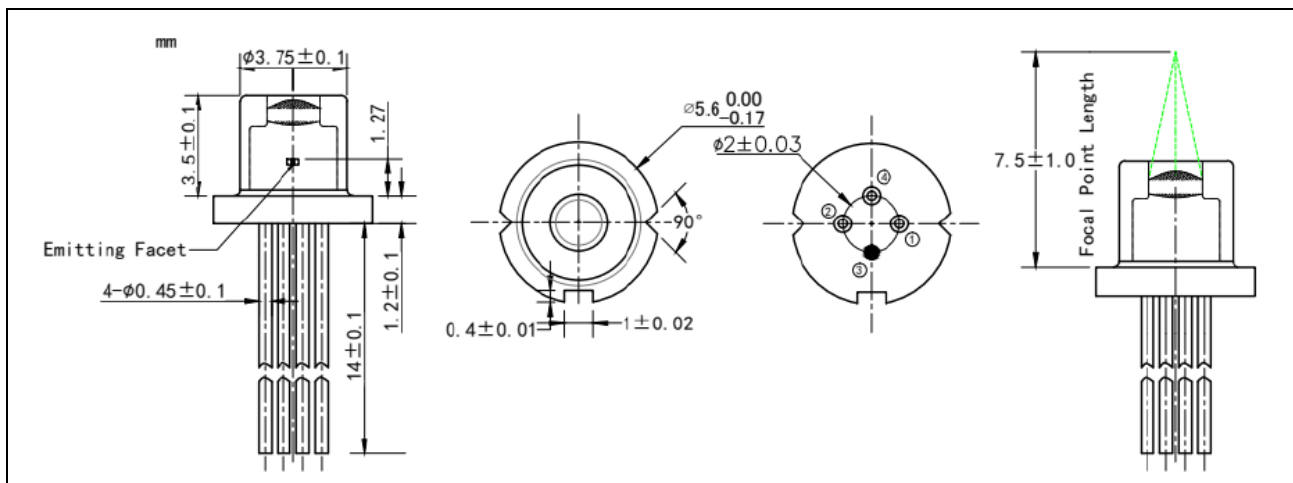
**Applications:**

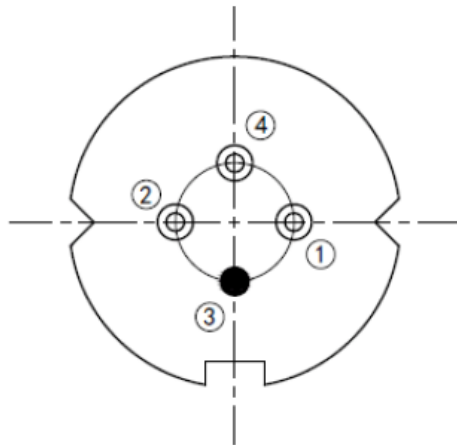
- Optical Fiber Communication
- Free-space Optical Communication

**Specifications:**

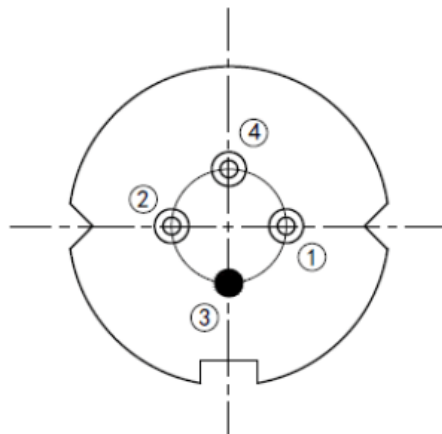
- Reverse Voltage (Vr): 2.0 V
- Operating Temperature (Top): -10~+50 °C
- Storage Temperature (Tstg): -40~ +85 °C
- Lead Soldering Temperature (10 sec.) (Tis): 260 °C

	Min.	Typical	Max.
Central wavelengths @25 degree C (nm)	+/-3	1550	+/-10
Spectral width (FWHM) (nm)			2
Output power (mW)		20	
Recommended operation temp. (degree C)		25	
Laser type		DFB	
Reverse current (PD) I <sub>rp</sub> (mA)		0.5	
Reverse voltage (PD) V <sub>rp</sub> (V)			15
Threshold current (typ.) (mA)		5	15
Operating current (mA)		90	100
Operating voltage (V)		1.4	1.7
Package style	TO18		
Window type	Non-spherical-lens window (standard), flat window (optional)		



**PIN Bottom View (A-Type):**


PIN 1	PD (+)
PIN 2	LD (-)
PIN 3	LD (+), CASE
PIN 4	PD (-)

**PIN Bottom View (B-Type):**


PIN 1	LD (+) PD (-)
PIN 2	LD (-)
PIN 3	CASE
PIN 4	PD (+)

Electrically shorten LD module and store in non-extreme conditions.  
Suggest using the constant current power supply.