

## 650nm~660nm 150mW Single Mode Laser Diode| SM LD | Red Laser Diode

### 658nm~660nm 5.6mm TO18 Package|150mW| SM LD

Part Number: STW-WSLD-650-150m-1

#### Features:

- 658nm
- Single Mode Beam
- TO18 Package

#### Applications:

- Medical Laser Treatment
- Laser Indicator
- Others

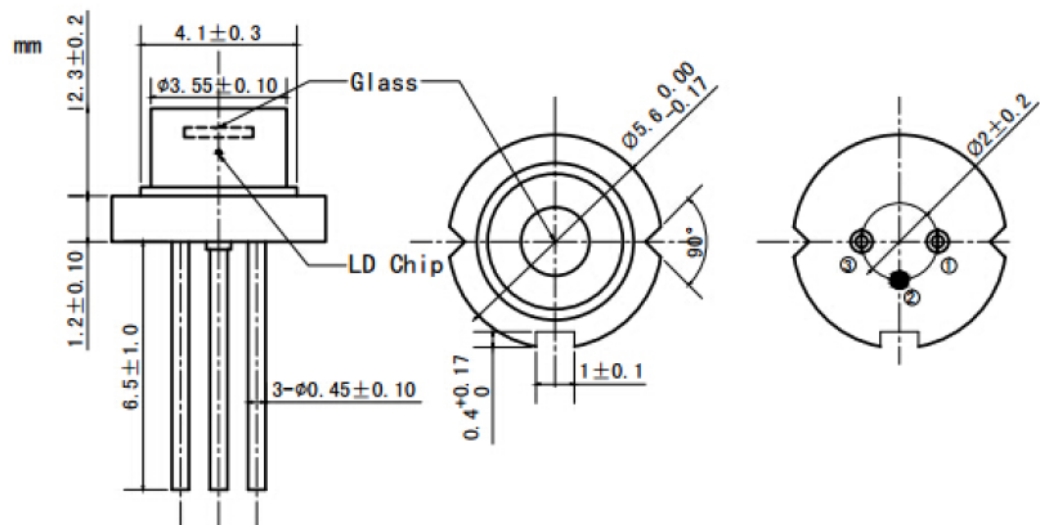
#### Specifications:

- Reverse Voltage (Vr): 2.0 V
- Operating Temperature (Top): -10~+50 °C
- Storage Temperature (Tstg): -40~ +85 °C
- Lead Soldering Temperature (10 sec.) (Tis): 260 °C

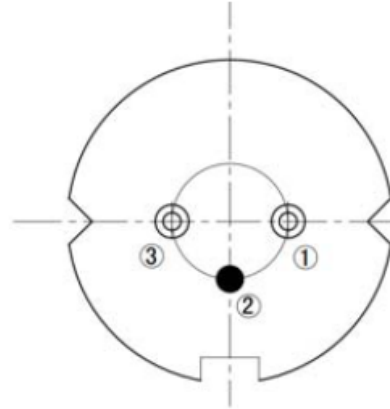


	Min.	Typical	Max.
Central wavelengths @25 degree C (nm)	+/-5	658	+/-10
Spectral width (FWHM) (nm)		2	
Output power (mW)		150	
Emitter		Single	
Beam divergence (FWHM)		15deg ⊥ x 10deg //	18deg ⊥ x 13deg //
Slope efficiency (mW/mA)	0.8	1.0	
Threshold current (typ.) (mA)		55	80
Operating current (mA)		220	240
Operating voltage (V)		2.8	3.5
Package style	TO18 (5.6mm)		
Recommended operation temp. (degree C)		25	

#### TO18(5.6mm) Package View



**PIN Bottom View:**



<b>1</b>	<b>LD(+)</b>
<b>2</b>	<b>LD(-)</b>
<b>3</b>	<b>NC</b>

Electrically shorten LD module and store in non-extreme conditions.  
Suggest using the constant current power supply.