

820nm~830nm~840nm 200mW Single Mode LD| SM Laser Diode|5.6mm TO18 Package

830nm SM Laser Diodes |Single Mode LD|200mW Power Built-in Photodiode

Part Number: STW-WSLD-830-200m-1-PD

Features:

- 830nm
- Single Mode
- Built-in PD
- TO18 Package

Applications:

- Medical Laser Treatment
- Laser Indicator
- Laser Detector

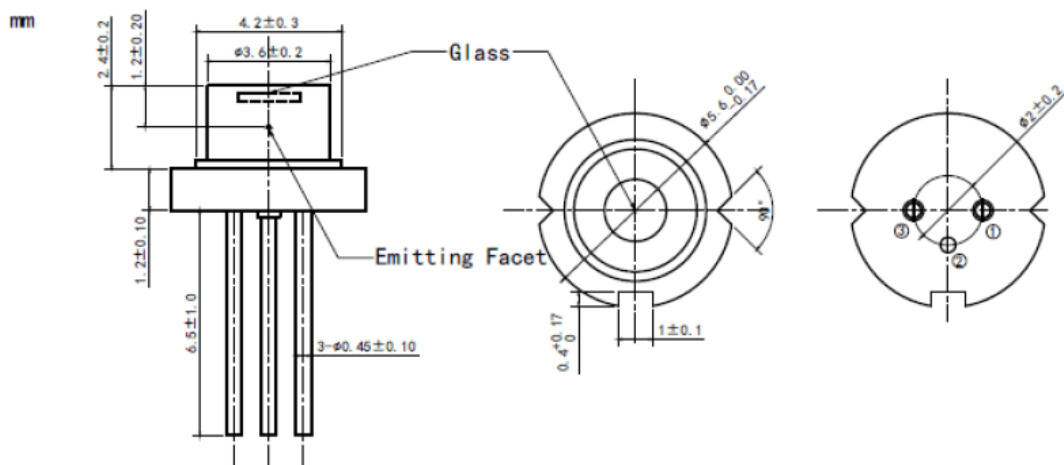
Specifications:

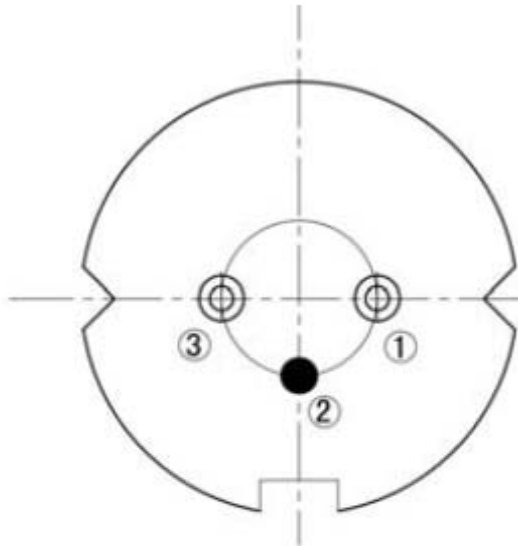
- Reverse Voltage (Vr): 2.0 V
- Operating Temperature (Top): -10~+50 °C
- Storage Temperature (Tstg): -40~ +85 °C
- Lead Soldering Temperature (10 sec.) (Tis): 260 °C



	Min.	Typical	Max.
Central wavelengths @25 degree C (nm)	+/-10	830	+/-15
Spectral width (FWHM) (nm)			3
Output power (mW)		200	
Recommended operation temp. (degree C)		25	
Beam Divergence (FWHM)		28° ⊥ x8° //	
Monitor current (mA)		0.6	
PD MAX Reverse Voltage (V)		25	
Slope Efficiency		1mW/mA	
Threshold current (typ.) (mA)		40	70
Operating current (mA)		260	280
Operating voltage (V)		2.7	3.2
Package style		TO18	

TO18(5.6mm) Package View





1	LD(-)
2	LD(+) & PD(-)
3	PD(+)

Electrically shorten LD module and store in non-extreme conditions.
Suggest using the constant current power supply.